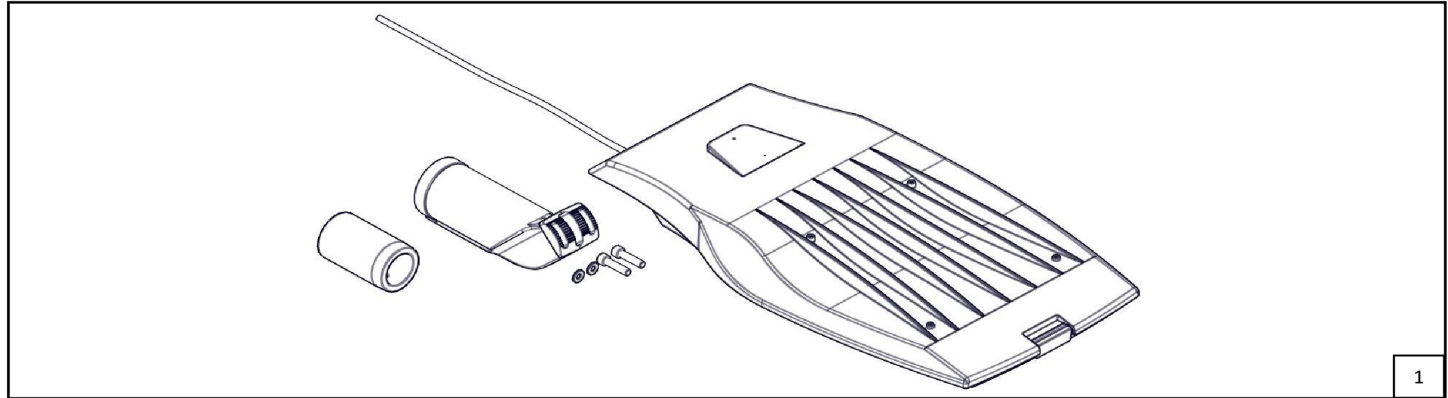


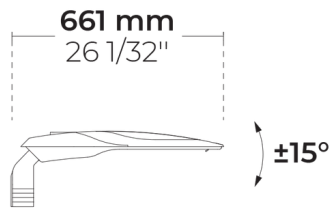
HEPER USA LLC

W227 N546 Westmound Drive Waukesha, 53186
Wisconsin, United States
+1 312 910 9740
infoUS@hepergroup.com

TURA 3x16 LED (LL2036.757-US)

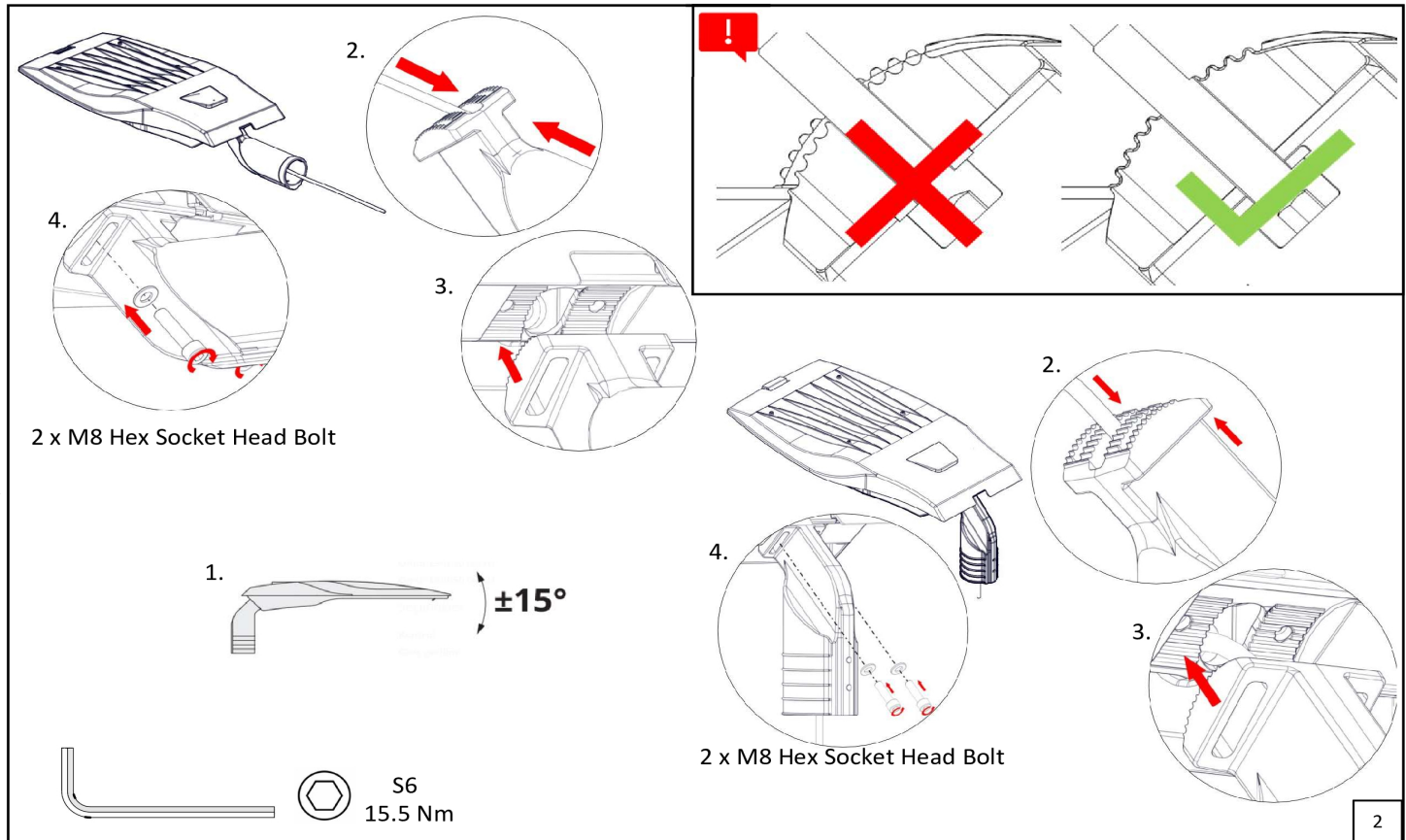


1

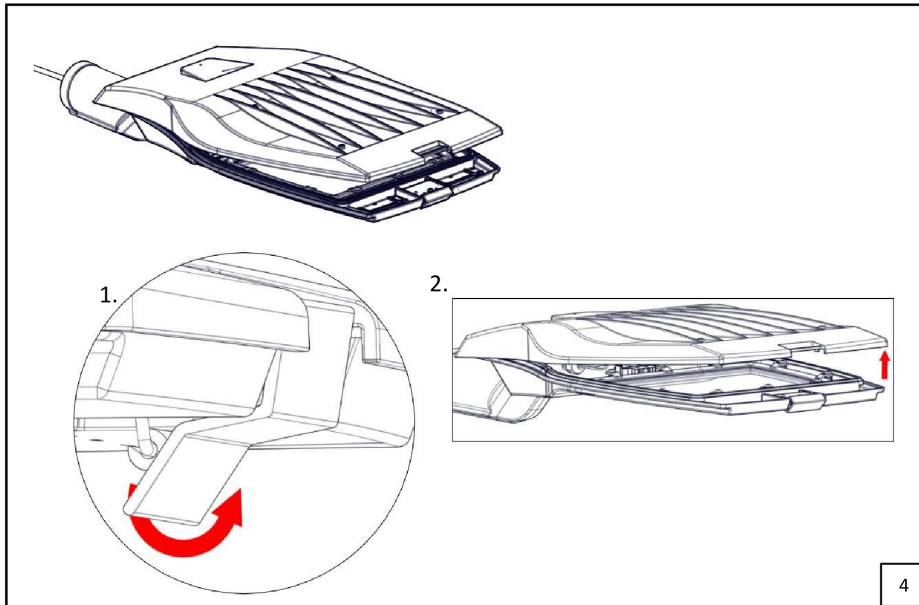
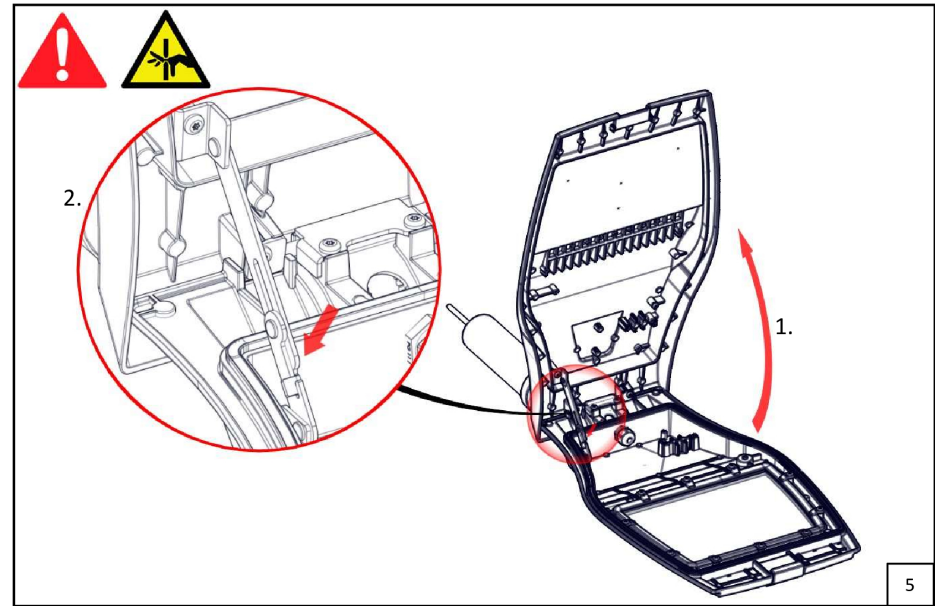
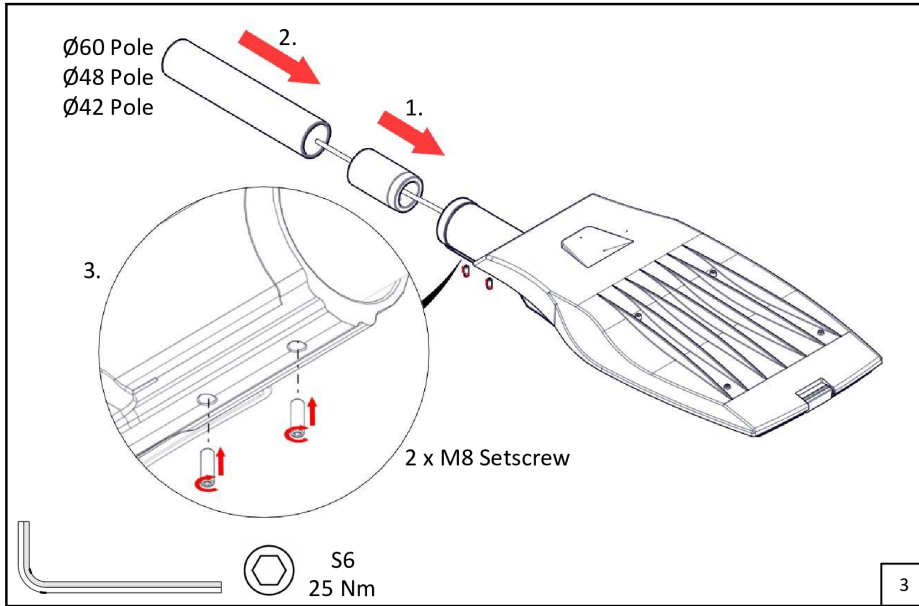


22 lbs

<https://heperlighting.com/us/ll2036.757-us/>



2



⚡ Lightning Rod Connection (On-Off)		Grid Connection
Class I	Class II	
L : Brown	L : Brown	L : Brown
N : Blue	N : Blue	N : Blue
⏚ : Yellow-Green	⏚ : Not Connection	⏚ : Yellow-Green
Lightning Rod Connection (DALI - 0-10V)		
L : Brown N : Blue ⏚ : Yellow-Green DIM + : Grey DIM - : Black		

Safety



- The product must be installed in accordance with applicable NEC standards by a qualified electrician familiar with the installation of exterior lighting fixtures.



- The product must be operated under specified voltage at all times.



- Do not install if parts are damaged.



- Power must be disconnected while installing or servicing to avoid electrical shock.



- Failing to comply with warnings and installation steps in this document might void warranty.



- Do not touch the light source.

- Make sure that temperature of the product is at a safe level before touching.

- Do not allow cables to touch sharp edges of metal parts or other sharp objects to avoid damage or abrasion.



- Check all of the cable connections including grounding before powering the product.

- Check the proper grounding of the metal housing before powering the product.

- Only use the product for its intended purposes.



- Do not use accessories not approved or recommended by HEPER.



- Replace any broken/cracked protective surface with a new one



- Before disconnecting the cables connections, disconnect the luminaire from the electricity.

Installation

- Make the connection of the spigot. (Spigot position may change according to project needs)

- Secure the pole to the spigot as shown on the visual.

- Make sure that the wire connections are as shown on the 12th visual.

Replacement of the light source

- Disconnect the power coming into the product.

- Reinstall the product following the same steps.

Replacement of the control gear

- Unlock the clip to reach the driver location.

- The electrical connection automatically will be blocked when the cap is

opened. Make sure that the mechanism is locked which is on the side of the cap.

- Detach the driver as shown on the visual.

- To close the cap, push it to the back to unlock the mechanism and lock the clip as shown on the visual.

Cleaning - Maintenance

- The product was designed and manufactured to operate for a long period of time. To ensure maximum lifespan of the product, regular (i.e. every six months) visual inspection and cleaning with a solvent-free cleaner using a soft cloth is recommended.

- Do not clean or service while the product is power connected.

Disposal



- In accordance with EU Directive WEEE (Waste Electrical and Electronic Equipment), luminaires must not be disposed of with other household waste. At the end of their life, luminaires must be taken to the appropriate local facility available for the disposal or recycling of electronic products.

Wiring Color Codes

- Ground - GREEN

- Line - BLACK

- Neutral - WHITE

- Dim(+) - RED/PURPLE

- Dim (-) - GRAY/ORANGE

Disclaimer

- HEPER reserve the right to make technical and design changes.