

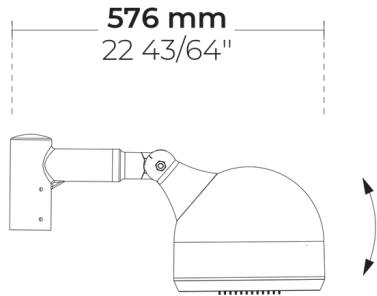


Installation & Maintenance Instructions

HEPER USA LLC

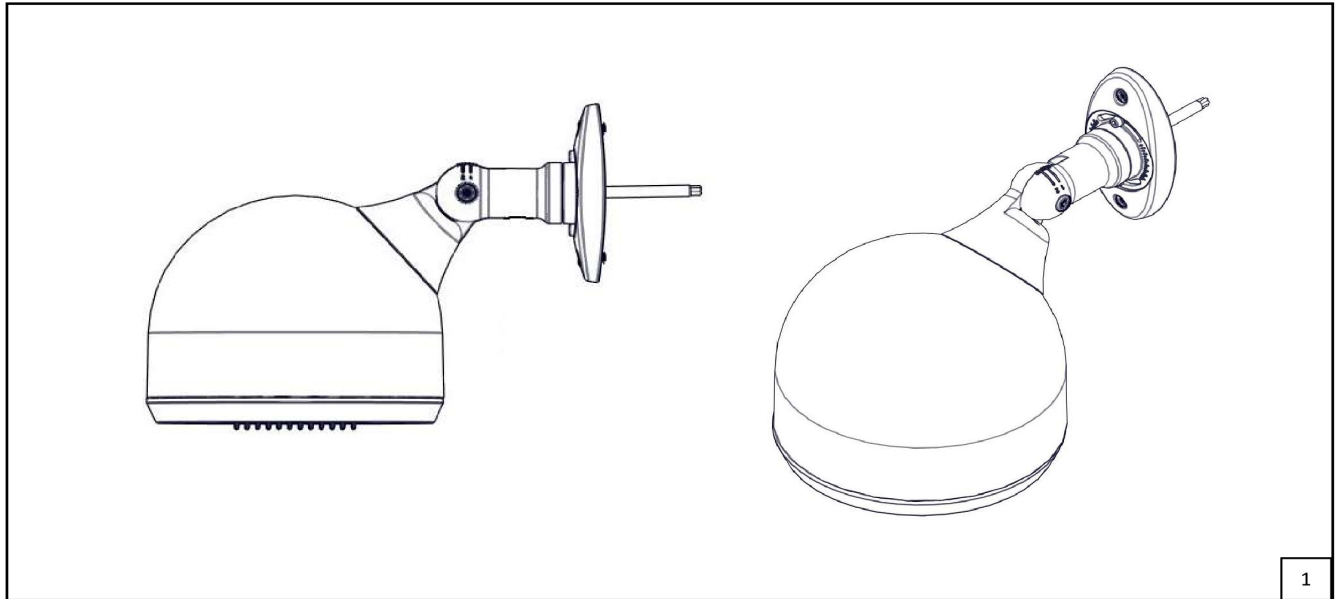
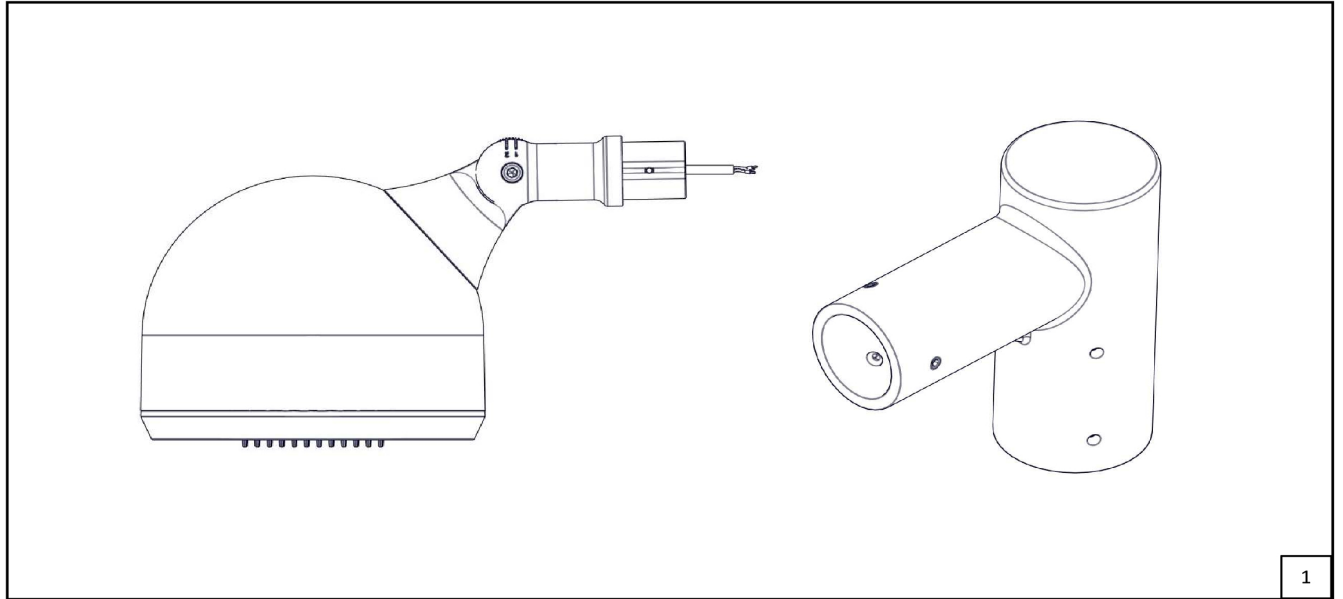
W227 N546 Westmound Drive Waukesha, 53186
Wisconsin, United States
+1 312 910 9740
infoUS@hepergroup.com

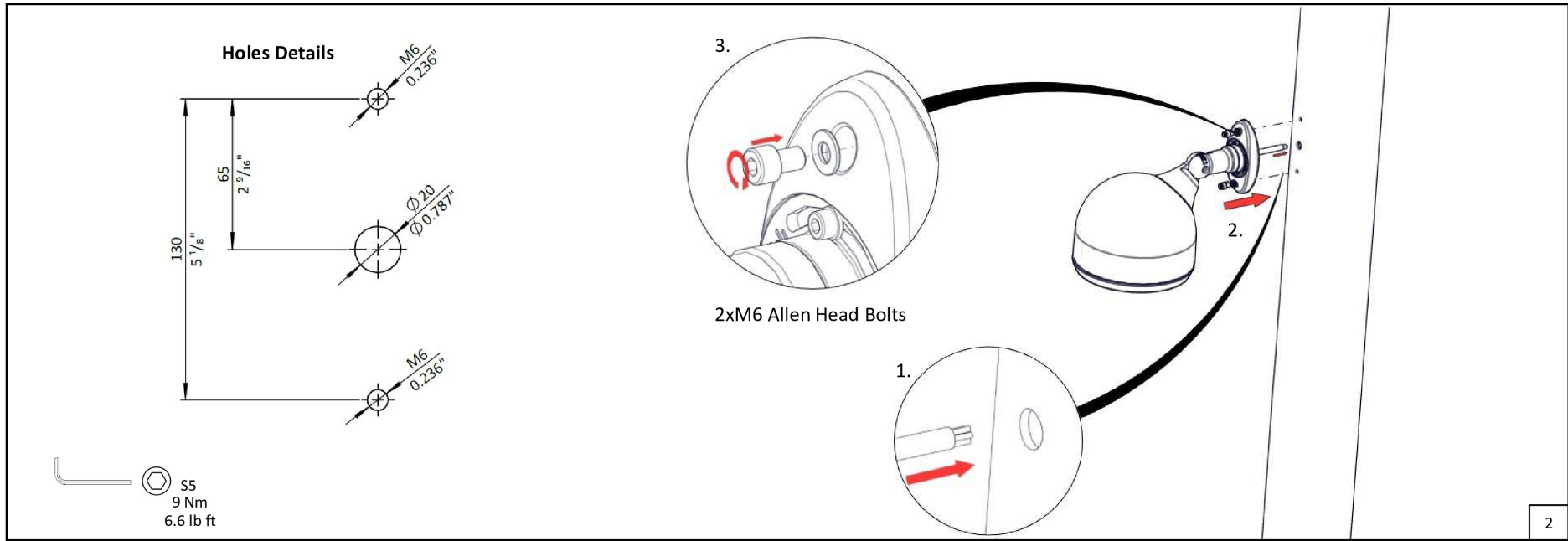
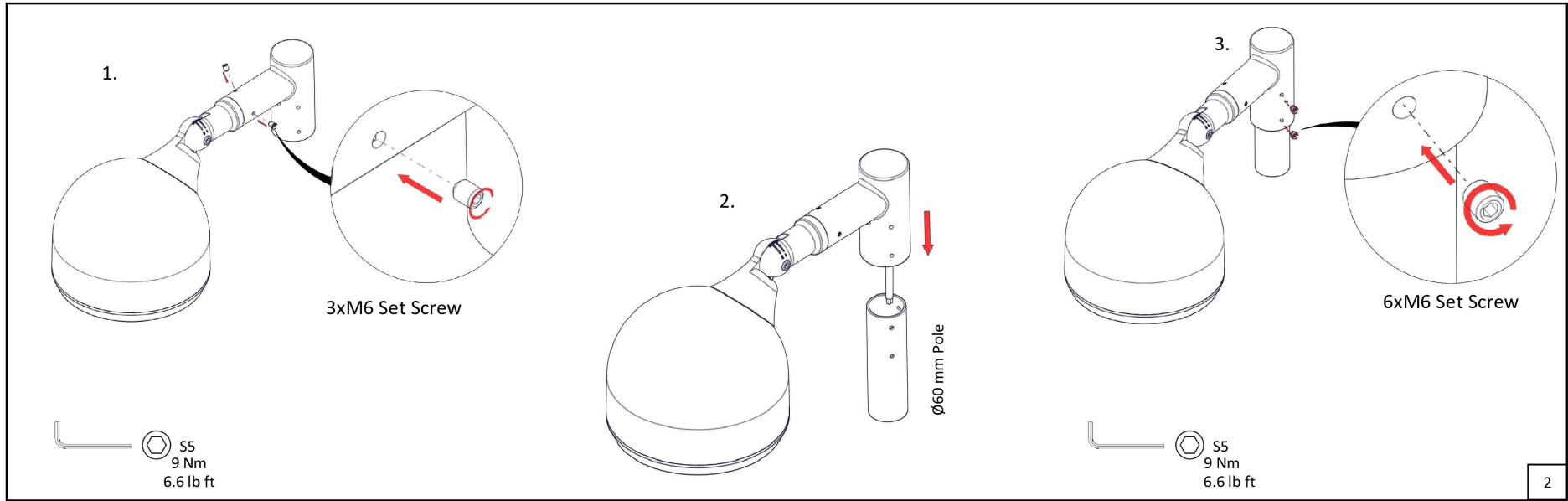
RHINO ML 1 Module (LL2028.671-US)

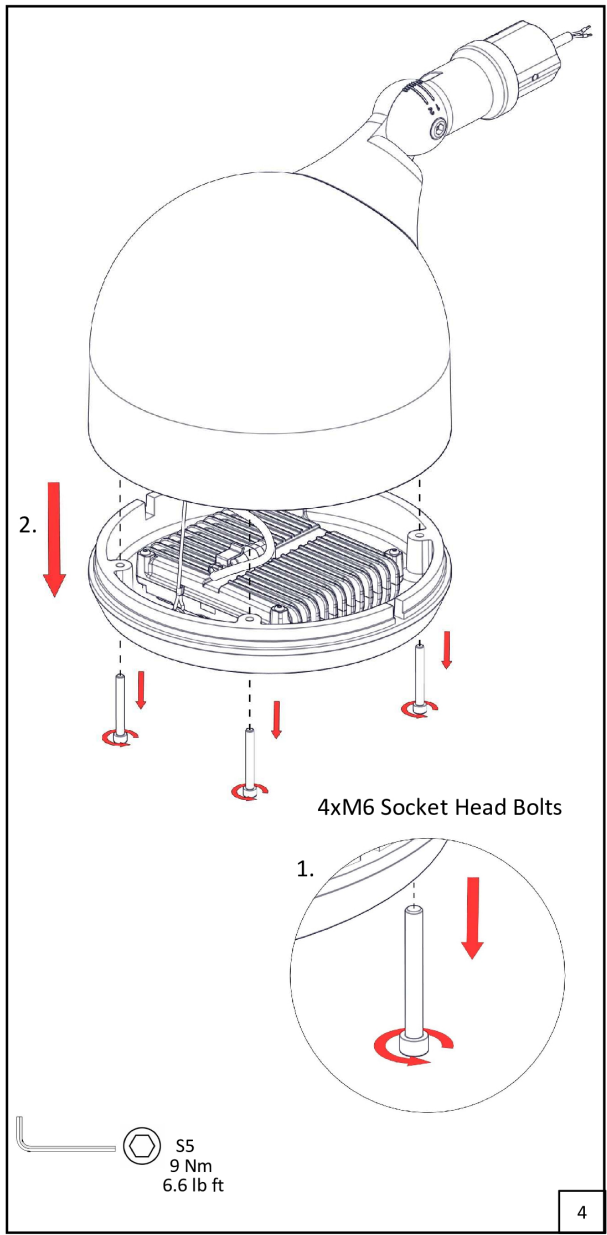
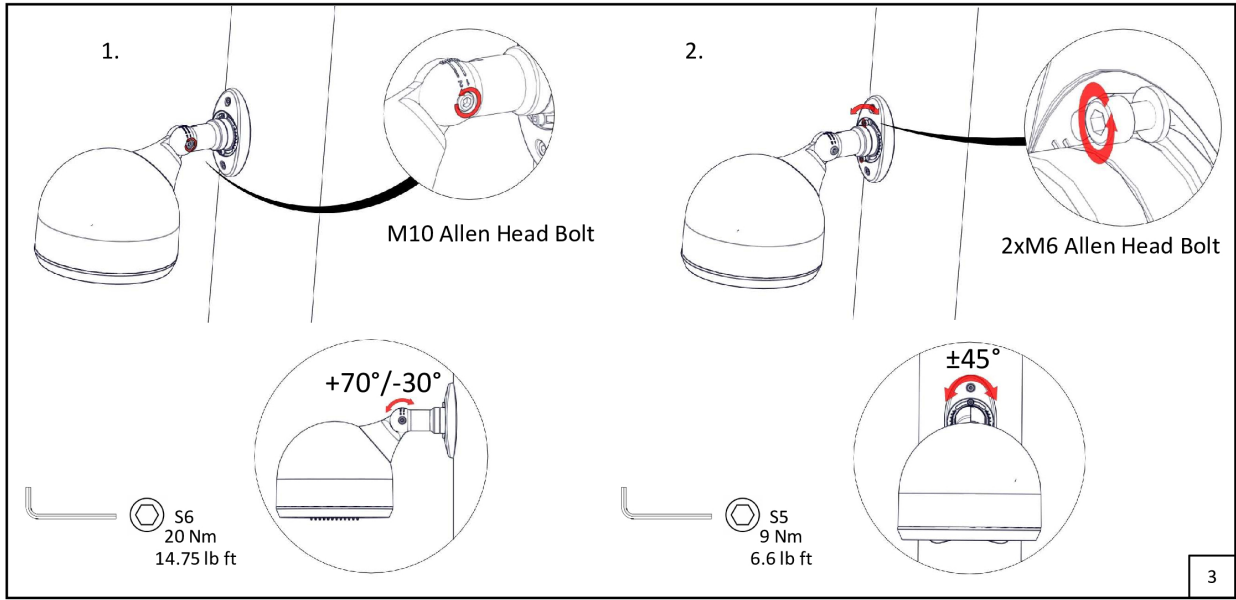
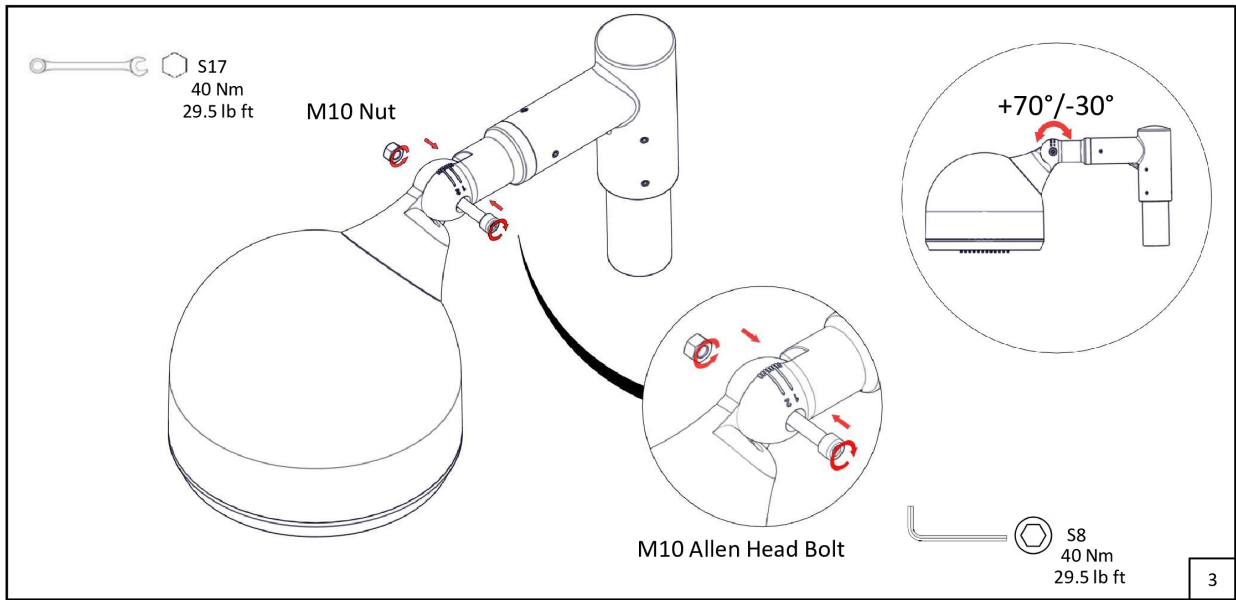


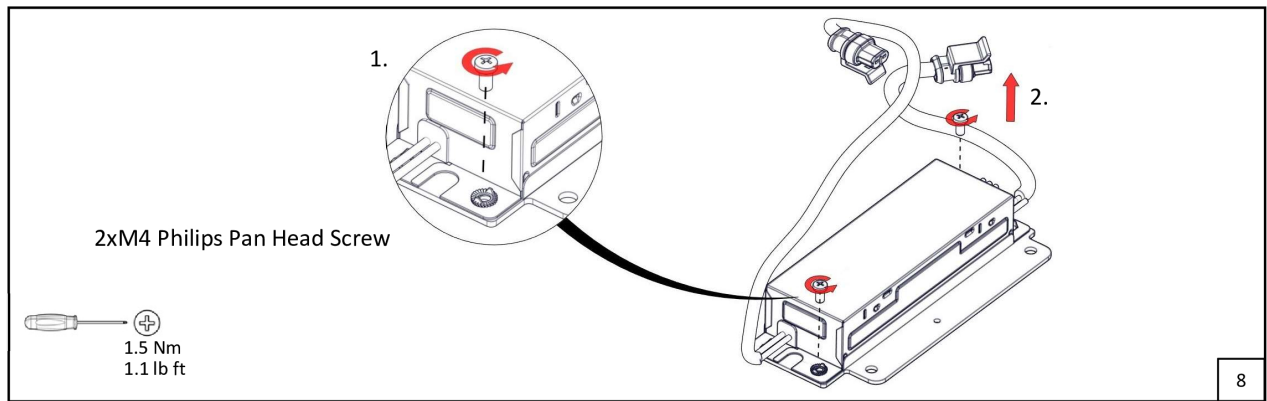
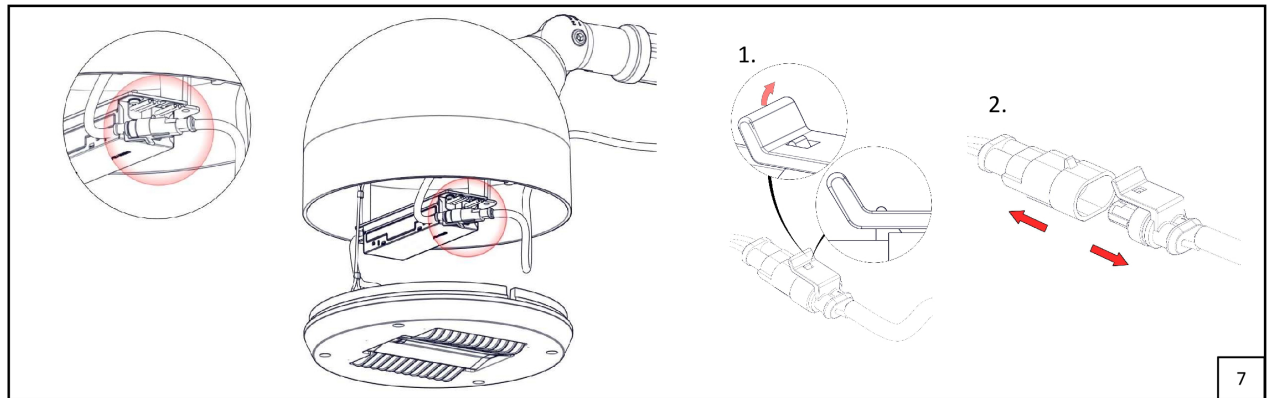
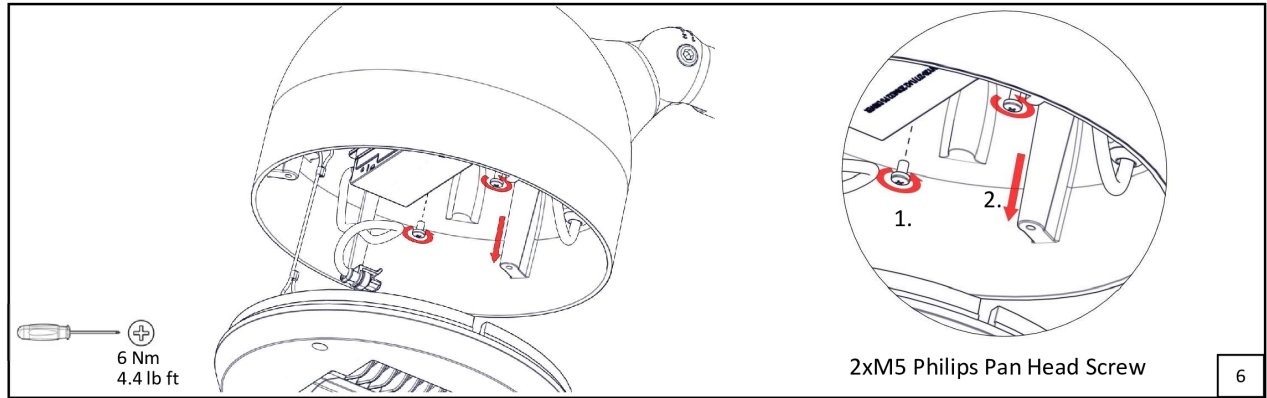
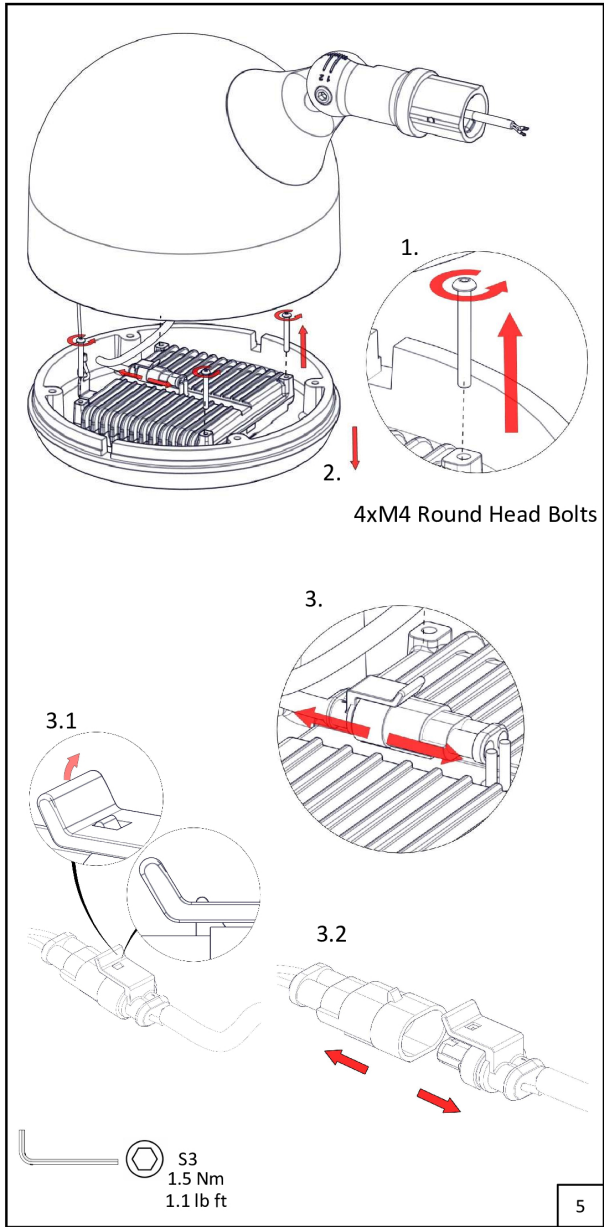
15.7 lbs

<https://heperlighting.com/us/ll2028.671-us/>









Safety



- The product must be installed in accordance with applicable NEC standards by a qualified electrician familiar with the installation of exterior lighting fixtures.



- The product must be operated under specified voltage at all times.



- Do not install if parts are damaged.



- Power must be disconnected while installing or servicing to avoid electrical shock.



- Failing to comply with warnings and installation steps in this document might void warranty.



- Do not touch the light source.

- Make sure that temperature of the product is at a safe level before touching.

- Do not allow cables to touch sharp edges of metal parts or other sharp objects to avoid damage or abrasion.



- Check all of the cable connections including grounding before powering the product.

- Check the proper grounding of the metal housing before powering the product.

- Only use the product for its intended purposes.



- Do not use accessories not approved or recommended by HEPER.



- Replace any broken/cracked protective surface with a new one

- The external flexible cable or cord of this LED Module cannot be replaced; if the cord is damaged, the module shall be destroyed.

- The light source of this LED Module is not replaceable; when the light source reaches its end of life the whole Module shall be replaced.

- Ethr value of the module according to IEC TR 62778 Standard: 1280 lx

- The LED Module should be positioned so that prolonged staring into one LED Module at a distance closer than 1,3 m is not expected.

- The maximum working voltage of basic insulation between the active parts of the LED module and external metallic parts: 260 V.

Installation

- First of all, in order to bring the product to the required angle, make the angle adjustment on the product as shown in the image.

- Make the cable connection as shown on the visual.

Replacement of the light source

- Disconnect the power coming into the product.

- Unscrew the bolts from front cover as shown in the visual, to reach to

the light source. Note: The cover is secured to the body with a safety latch.

- Reinstall the product following the same steps.

Replacement of the control gear

- Disconnect the power coming into the product.

- Unscrew the bolts from front cover as shown in the visual, to reach to the driver. Note: The cover is secured to the body with a safety latch.

- Detach the driver and place the new one.

- Reinstall the product following the same steps.

Cleaning - Maintenance

- The product was designed and manufactured to operate for a long period of time. To ensure maximum lifespan of the product, regular (i.e. every six months) visual inspection and cleaning with a solvent-free cleaner using a soft cloth is recommended.

- Do not clean or service while the product is power connected.

Disposal



- In accordance with EU Directive WEEE (Waste Electrical and Electronic Equipment), luminaires must not be disposed of with other household waste. At the end of their life, luminaires must be taken to the appropriate local facility available for the disposal or recycling of electronic products.

Wiring Color Codes

- Ground - GREEN

- Line - BLACK

- Neutral - WHITE

- Dim(+) - RED/PURPLE

- Dim(-) - GRAY/ORANGE

Disclaimer

- HEPER reserve the right to make technical and design changes.