

HEPER USA LLC

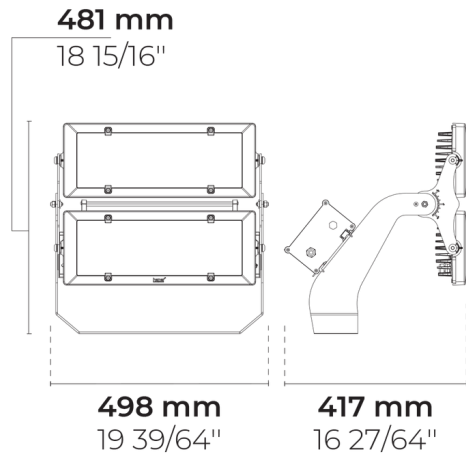
W227 N546 Westmound Drive Waukesha, 53186

Wisconsin, United States

+1 312 910 9740

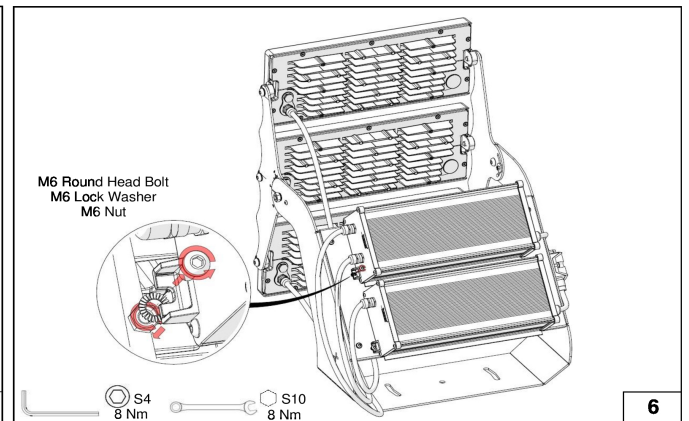
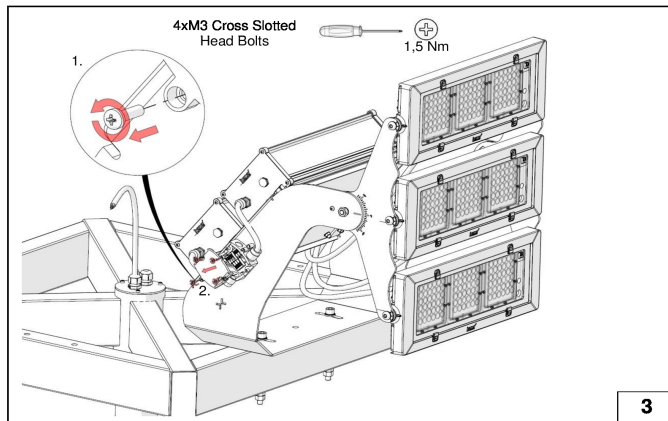
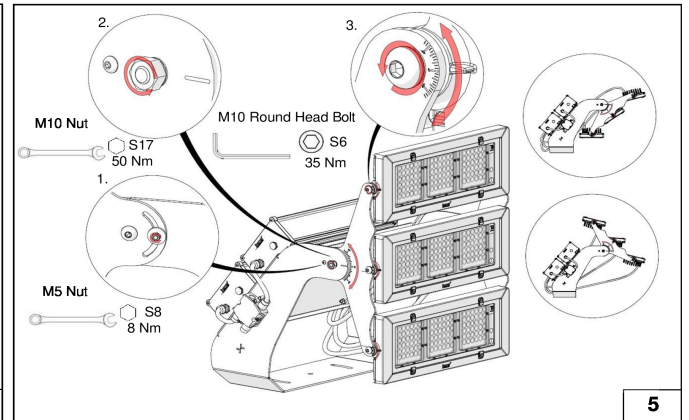
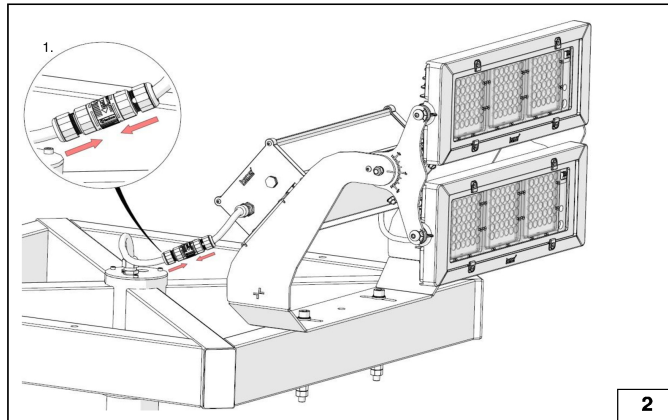
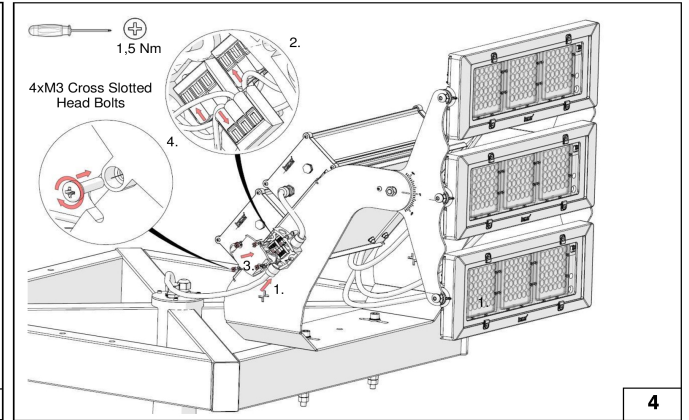
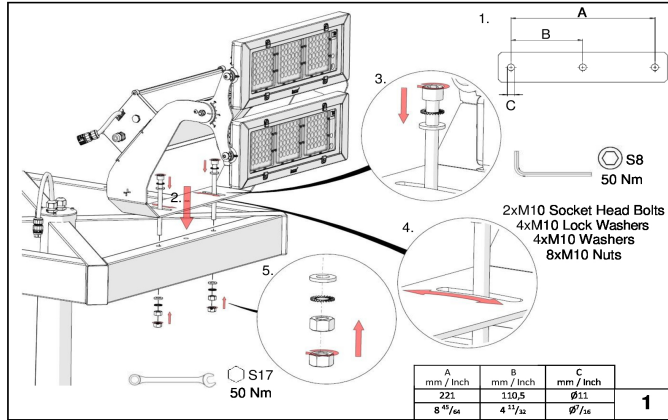
infoUS@hepergroup.com

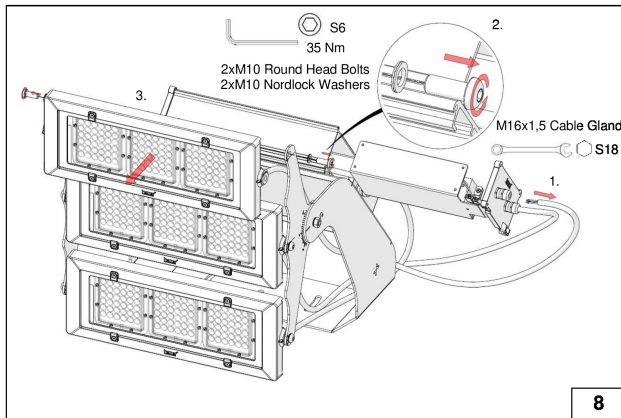
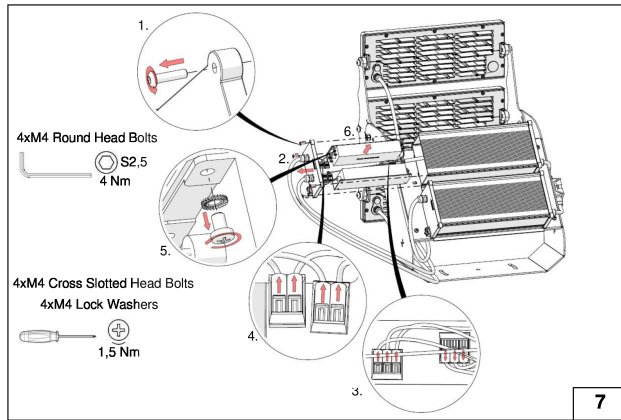
REGIO 2 Module (LF8035.522-US)



42.1 lbs

<https://heperlighting.com/us/lf8035.522-us/>





A (mm) (Inch)	B (mm) (Inch)	C (mm) (Inch)	AĞIRLIK WEIGHT (kg) (lb)	ÜRÜN KODU PRODUCT CODE
263 10 ³ / ₁₆	481 18 ⁷ / ₁₆	282 11 ¹ / ₁₆	11,5 kg 25,3 lb	LF8035.521
480 18 ³ / ₁₆	500 19 ¹ / ₁₆	425 16 ⁷ / ₁₆	25 kg 50,7 lb	LF8035.522
643 25 ³ / ₁₆	500 19 ¹ / ₁₆	569 22 ¹³ / ₃₂	36,2 kg 80 lb	LF8035.523

Safety



- The product must be installed in accordance with applicable NEC standards by a qualified electrician familiar with the installation of exterior lighting fixtures.



- The product must be operated under specified voltage at all times.



- Do not install if parts are damaged.



- Power must be disconnected while installing or servicing to avoid electrical shock.



- Failing to comply with warnings and installation steps in this document might void warranty.



- Do not touch the light source.

- Make sure that temperature of the product is at a safe level before touching.

- Do not allow cables to touch sharp edges of metal parts or other sharp objects to avoid damage or abrasion.



- Check all of the cable connections including grounding before powering the product.

- Check the proper grounding of the metal housing before powering the product.

- Only use the product for its intended purposes.



- Do not use accessories not approved or recommended by HEPER.



- Replace any broken/cracked protective surface with a new one



- Carefully hold the LED light module, while the bolt is loosened for angle arrangement and be careful not to get your hand stuck.

Installation

- The surface on which the product will be mounted must be flat and level

- Holes should be opened on the surface the product will be mounted and the product should be placed as shown on the visual

- The base angle adjustment should be made according to the direction of the area to be illuminated Note: The base angle is max $\pm 13^\circ$

- To connect the product with the mains, use a minimum IP 66 rated connector. Note: IP connectors are not provided with the product.

- If the product has 1 or 2 modules, proceed directly to step 5. For the 3-module product, make the terminal connections in the connection box as shown in the visual.

- You can adjust the light angle settings by loosening and tightening the nut as shown.

Replacement of the light source

- Disconnect the power coming into the product.
- Unscrew and detach the LED Module as shown on the visual.
- Reinstall the product following the same steps.

Replacement of the control gear

- Disconnect the power coming into the product.
- Unscrew the driver box cover to access the driver location as shown in the image.
- Detach the driver and place the new one.
- Reinstall the product following the same steps.

Cleaning - Maintenance

- The product was designed and manufactured to operate for a long period of time. To ensure maximum lifespan of the product, regular (i.e. every six months) visual inspection and cleaning with a solvent-free cleaner using a soft cloth is recommended.
- Do not clean or service while the product is power connected.

Disposal



- In accordance with EU Directive WEEE (Waste Electrical and Electronic Equipment), luminaires must not be disposed of with other household waste. At the end of their life, luminaires must be taken to the appropriate local facility available for the disposal or recycling of electronic products.

Wiring Color Codes

- Ground - GREEN
- Line - BLACK
- Neutral - WHITE
- Dim(+) - RED/PURPLE
- Dim (-) - GRAY/ORANGE

Disclaimer

- HEPER reserve the right to make technical and design changes.