

HEPER USA LLC

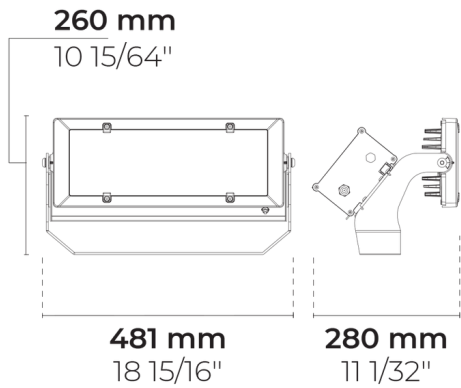
W227 N546 Westmound Drive Waukesha, 53186

Wisconsin, United States

+1 312 910 9740

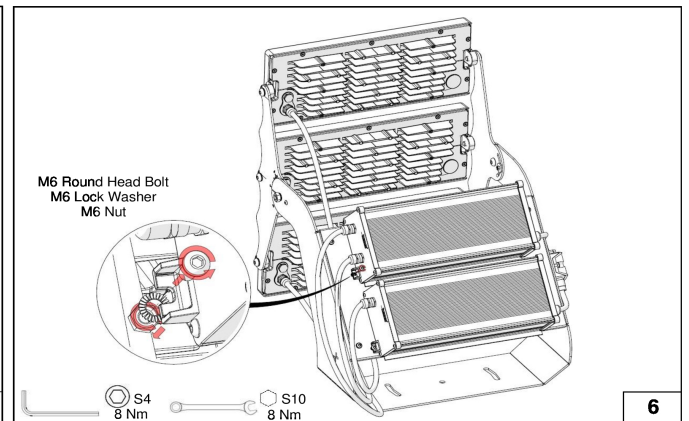
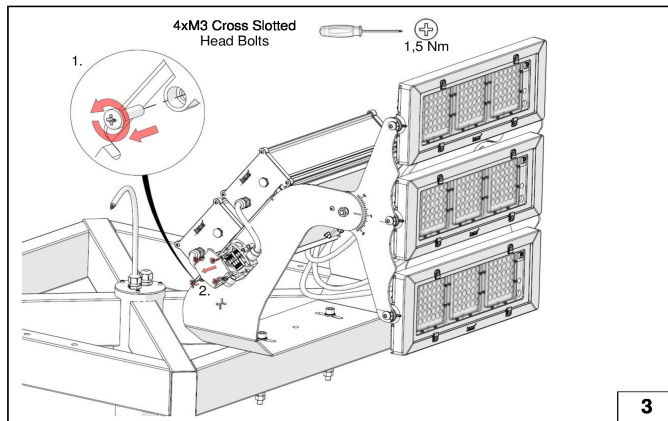
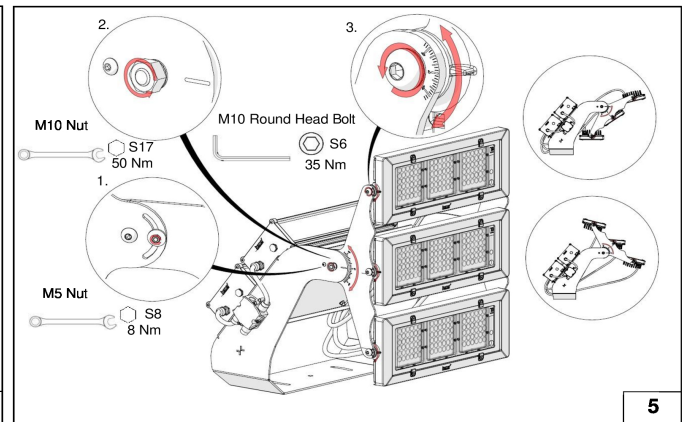
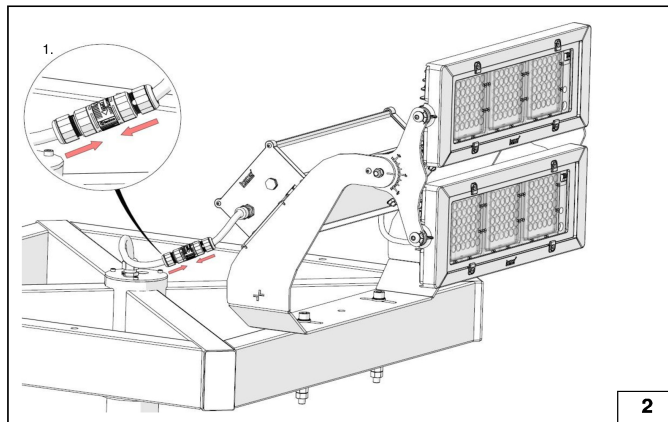
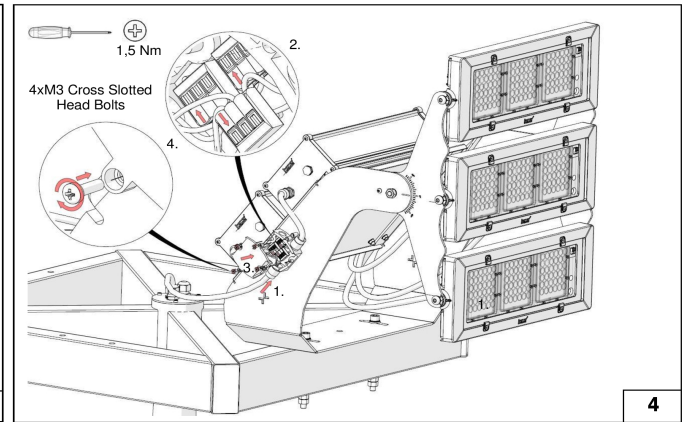
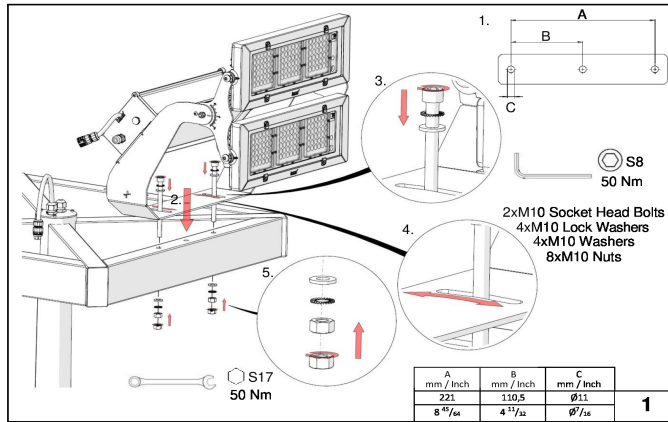
infoUS@hepergroup.com

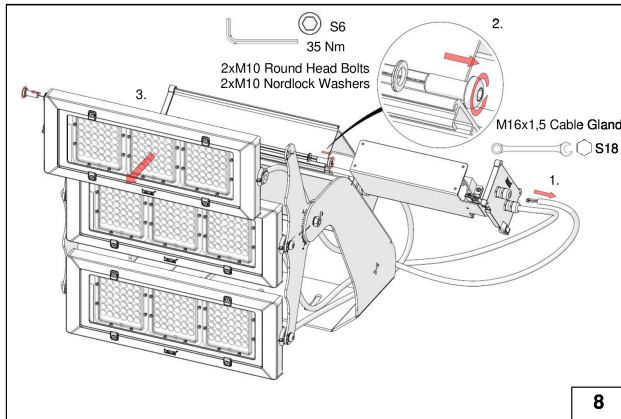
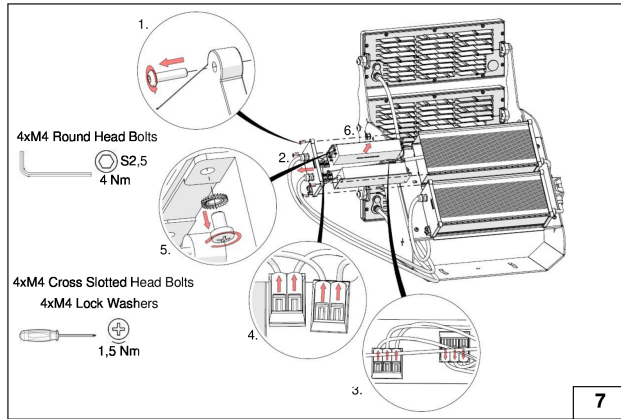
REGIO 1 Module (LF8035.521-US)



24 lbs

<https://heperlighting.com/us/lf8035.521-us/>





A (mm) (Inch)	B (mm) (Inch)	C (mm) (Inch)	AĞIRLIK WEIGHT (kg) (lb)	ÜRÜN KODU PRODUCT CODE
263 10 ³ / ₁₆	481 18 ⁷ / ₁₆	282 11 ¹ / ₁₆	11,5 kg 25,3 lb	LF8035.521
480 18 ³ / ₁₆	500 19 ¹ / ₁₆	425 16 ⁴ / ₁₆	25 kg 50,7 lb	LF8035.522
643 25 ³ / ₁₆	500 19 ¹ / ₁₆	569 22 ¹³ / ₃₂	36,2 kg 80 lb	LF8035.523

English (USA)

Safety



- The product must be installed in accordance with applicable NEC standards by a qualified electrician familiar with the installation of exterior lighting fixtures.



- The product must be operated under specified voltage at all times.



- Do not install if parts are damaged.



- Power must be disconnected while installing or servicing to avoid electrical shock.



- Failing to comply with warnings and installation steps in this document might void warranty.



- Do not touch the light source.

- Make sure that temperature of the product is at a safe level before touching.

- Do not allow cables to touch sharp edges of metal parts or other sharp objects to avoid damage or abrasion.



- Check all of the cable connections including grounding before powering the product.

- Check the proper grounding of the metal housing before powering the product.

- Only use the product for its intended purposes.



- Do not use accessories not approved or recommended by HEPER.



- Replace any broken/cracked protective surface with a new one

Cleaning - Maintenance

- The product was designed and manufactured to operate for a long period of time. To ensure maximum lifespan of the product, regular (i.e. every six months) visual inspection and cleaning with a solvent-free cleaner using a soft cloth is recommended.

- Do not clean or service while the product is power connected.

Disposal



- In accordance with EU Directive WEEE (Waste Electrical and Electronic Equipment), luminaires must not be disposed of with other household waste. At the end of their life, luminaires must be taken to the appropriate local facility available for the disposal or recycling of electronic products.

Wiring Color Codes

- Ground - GREEN

- Line - BLACK
- Neutral - WHITE
- Dim(+) - RED/PURPLE
- Dim (-) - GRAY/ORANGE

Disclaimer

- HEPER reserve the right to make technical and design changes.