



# Installation & Maintenance Instructions

## HEPER USA LLC

W227 N546 Westmound Drive Waukesha, 53186  
Wisconsin, United States  
+1 312 910 9740  
infoUS@hepergroup.com

## PUNTO (LF8018.694-US)

**Hole Dimensions**

A (Inches)	B (Inches)	C (Inches)
3 <sup>7</sup> / <sub>64</sub>	1 <sup>9</sup> / <sub>16</sub>	<sup>25</sup> / <sub>64</sub>

1

173 mm  
6 <sup>13</sup>/<sub>16</sub>"

126 mm  
4 <sup>61</sup>/<sub>64</sub>"

208 mm  
8 <sup>3</sup>/<sub>16</sub>"

Ø169 mm  
Ø6 <sup>21</sup>/<sub>32</sub>"

9.1 lbs

<https://heperlighting.com/us/lf8018.694-us/>

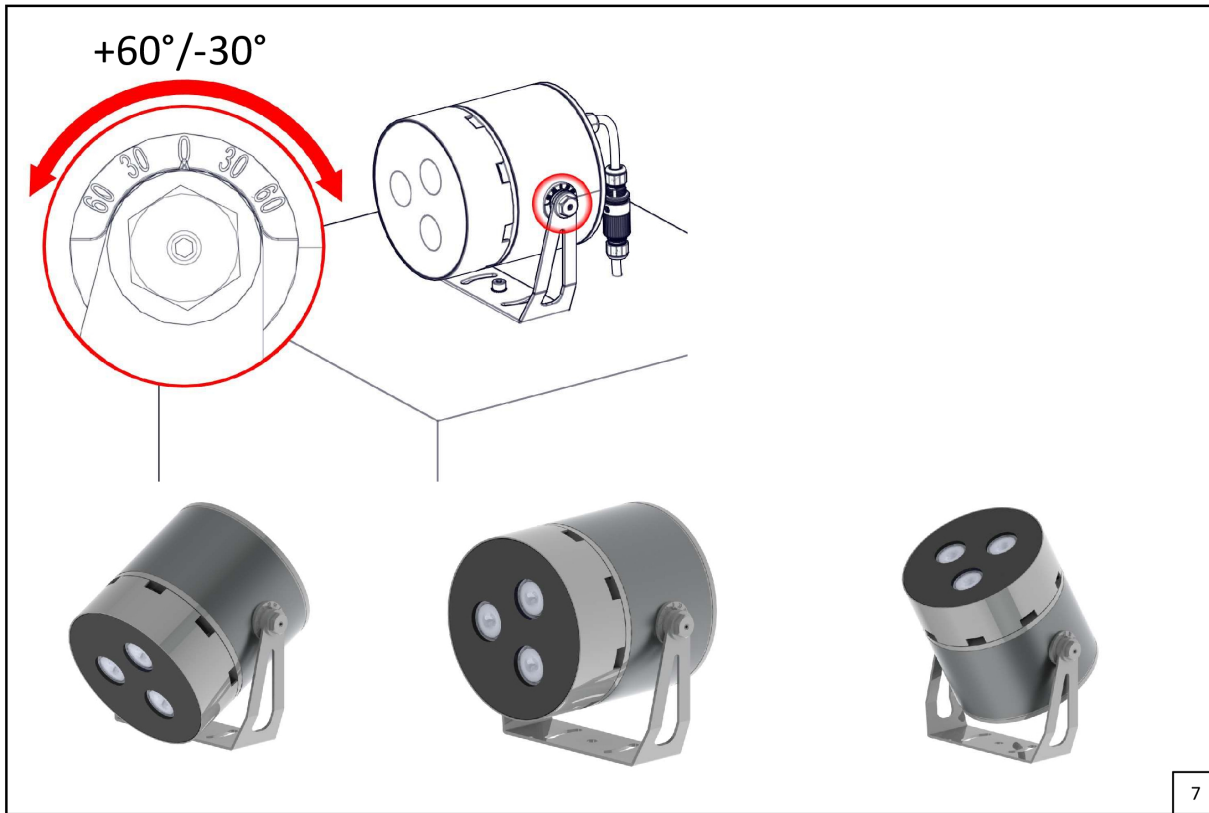
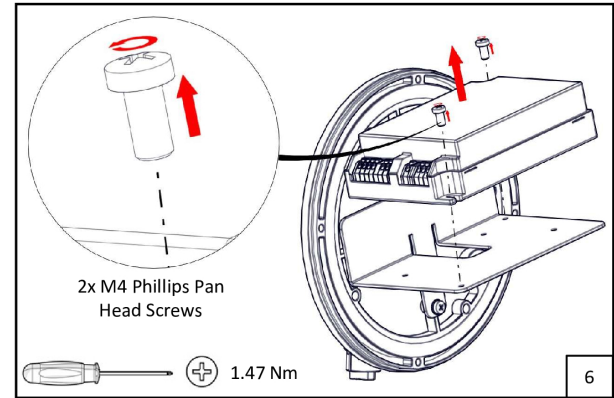
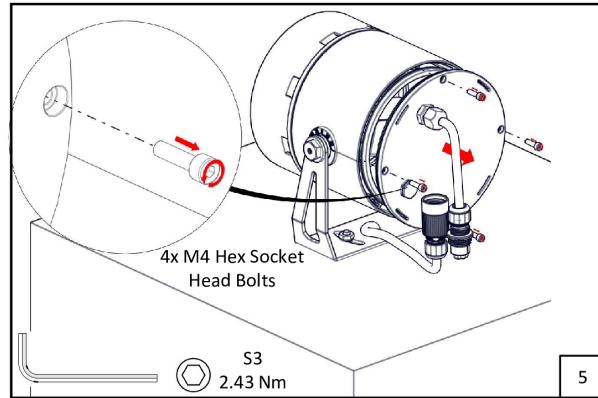
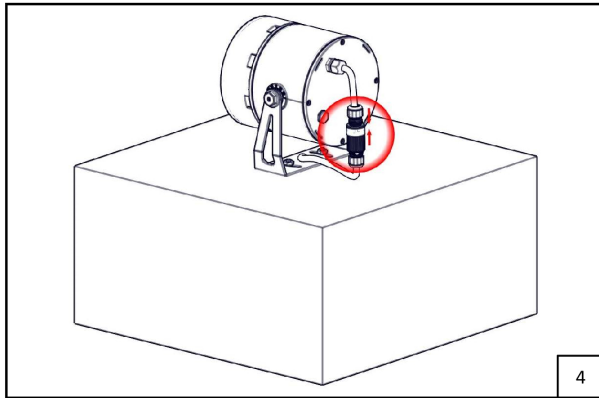
2x M6 Steel Dowels

2

2x M6 Nuts

S10  
7.6 lb-ft

3



### Safety



- The product must be installed in accordance with applicable NEC standards by a qualified electrician familiar with the installation of exterior lighting fixtures.



- The product must be operated under specified voltage at all times.



- Do not install if parts are damaged.



- Power must be disconnected while installing or servicing to avoid electrical shock.



- Failing to comply with warnings and installation steps in this document might void warranty.



- Do not touch the light source.

- Make sure that temperature of the product is at a safe level before touching.

- Do not allow cables to touch sharp edges of metal parts or other sharp objects to avoid damage or abrasion.



- Check all of the cable connections including grounding before powering the product.

- Check the proper grounding of the metal housing before powering the product.

- Only use the product for its intended purposes.



- Do not use accessories not approved or recommended by HEPER.



- Replace any broken/cracked protective surface with a new one

### Installation

- The surface on which the product will be mounted must be flat and level

- Open the holes on the surface as shown in the visual.

- To assemble the product, use IP 68 rated connector.

### Replacement of the control gear

- Disconnect the power coming into the product.

- Disassemble the product head.

- Unscrew the plate to gain access to the driver location as shown on the visual.

- Remove the driver holder.

- Detach the driver and place the new one.

- Reinstall the product following the same steps.

- The completed product installation should be as shown on the visual.

### Cleaning - Maintenance

- The product was designed and manufactured to operate for a long period of time. To ensure maximum lifespan of the product, regular (i.e. every six months) visual inspection and cleaning with a solvent-free cleaner using a soft cloth is recommended.

- Do not clean or service while the product is power connected.

### Disposal



- In accordance with EU Directive WEEE (Waste Electrical and Electronic Equipment), luminaires must not be disposed of with other household waste. At the end of their life, luminaires must be taken to the appropriate local facility available for the disposal or recycling of electronic products.

### Wiring Color Codes

- Ground - GREEN

- Line - BLACK

- Neutral - WHITE

- Dim(+) - RED/PURPLE

- Dim (-) - GRAY/ORANGE

### Disclaimer

- HEPER reserve the right to make technical and design changes.